

Polaroid Service Centers and Offices

Australia

Polaroid Australia Pty. Ltd.
Eden Park Estate
31 Waterloo Road
North Ryde, N.S.W. 2113
Telephone: (02) 887 2333

Mailing address:
P.O. Box 163
North Ryde, N.S.W. 2113

Belgique/België

Polaroid (Belgium) S.A.-N.V.
Rue Colonel Bourg 113
Kolonel Bourstraat 113
1140 Bruxelles-Brussel
Telephone: 02-736.10.00

Brasil

Polaroid do Brasil Ltda.
Rua Almirante Marques Leão 408
São Paulo 01330, S.P.
Telephone: 285-6411

Endereço postal:
Caixa Postal 2908
São Paulo 01000

Canada

Polaroid Canada, Inc.
350 Carlingview Drive
Rexdale, Ontario M9W 5G6
Telephone: (416) 675-3680

Danmark

Polaroid A.S.
Blokken 75
3460 Birkerød
Telephone: (02) 81 75 00

Deutschland

Polaroid GmbH
Postfach 10 15 63
Sprendlinger Landstrasse 109
6050 Offenbach 1
Telephone: 069-8404-1

España

Polaroid (España) S.A.
Núñez de Balboa, 56
28001 Madrid
Telephone: (1) 435 25 09

France

Polaroid (France) S.A.
57, rue J.P. Timbaud
B.P. 47
78391 Bois d'Arcy Cedex
Telephone: (1) 34 60 61 66

Great Britain

Polaroid (U.K.) Ltd.
Ashley Road
St. Albans
Hertfordshire AL1 5PR
Telephone: St. Albans (0727) 59191
Freefone 2122

Hong Kong

Polaroid (Far East) Ltd.
Room 3203-3208, 32nd Floor
Windsor House
311 Gloucester Road
Causeway Bay
Telephone: (5) 7951725

Italia

Polaroid (Italia) S.p.A.
Via Piave 11
21051-Arcisate (Varese)
Telephone: (0332) 47 00 31

Japan

Nippon Polaroid K.K.
Mori Building, No. 30
3-2-2, Toranomon
Minato-ku
Tokyo (105)
Telephone: (03) 438-8811

Mexico

Polaroid de Mexico S.A. de C.V.
Calle Tres No. 28
FRACC. IND. ALCE BLANCO
53370 Naucalpan, Edo. de Mexico
Telephone: (905) 576-1914

Nederland

Polaroid Nederland B.V.
Zonnebaan 45
3606 CH Maarssenbroek
Telephone: 030 43 56 44

Reparaties:

Polaroid (Europa) B.V.
Markt 24
7511 GB Enschede

New Zealand

Polaroid New Zealand Ltd.
Augustus House
15 Augustus Terrace
Parnell, Auckland 1
Telephone: 771-682

Mailing address:
P.O. Box 37-046
Parnell
Auckland 1

Norge

Polaroid (Norge) A/S
Industriveien 8B
Postboks 80
1473 Skårer
Telephone: (02) 70 47 10

Österreich

Polaroid Ges. m.b.H.
Postfach 66
Eitnergasse 13
1233 Wien
Telephone: (0222) 86 43 48

Panama

Polaroid Interamerican, S.A.
P.O. Box 2167
Colon Free Zone
Telephone: 45-1722

Puerto Rico

Polaroid Caribbean Corporation
Edificio Centro de Seguros
Ponce de Leon 701, Miramar
Santurce 00904
Telephone: (809) 725-6240

Schweiz/Suisse/Svizzera

Polaroid A.G.
Hardturmstrasse 133
8037 Zürich
Telephone: (01) 277-72-72

Sverige

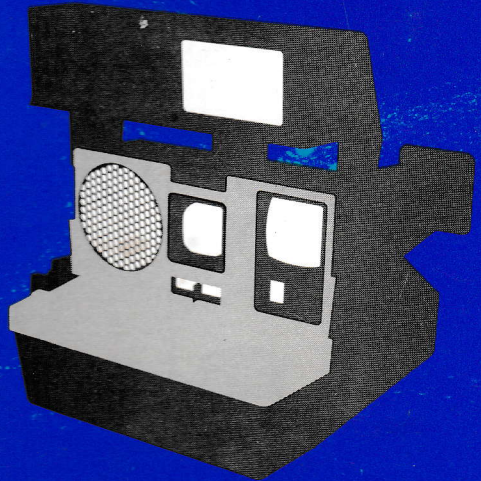
Polaroid AB
Ekholmsvägen 34
Box 204
127 24 Skärholmen
Telephone: 08 7100850

U.S.A.

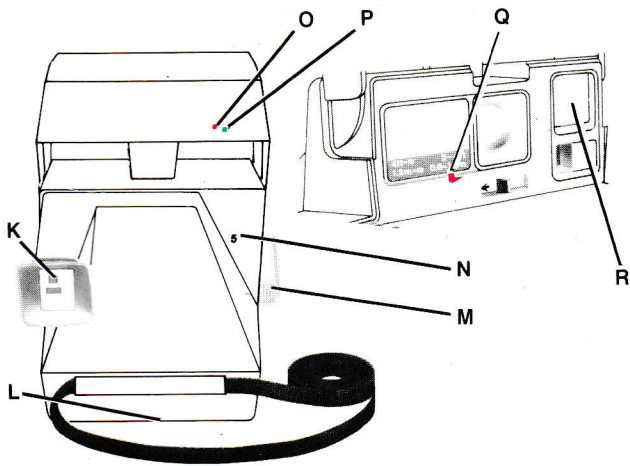
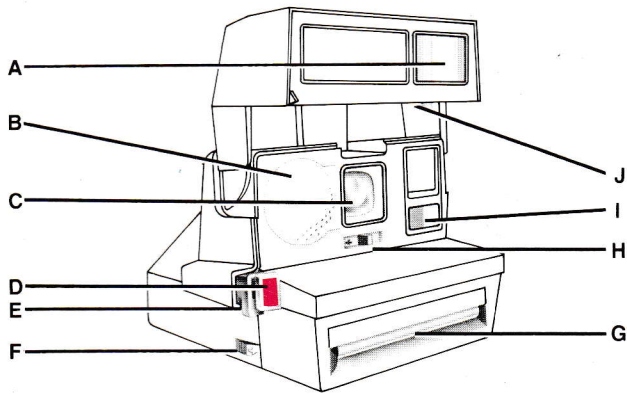
Polaroid Corporation
784 Memorial Drive
Cambridge, Mass. 02139
Telephone: Toll free 800-225-1618



Spirit 600
Supercolor 635
Supercolor 645
Supercolor 635 CL
Supercolor 645 CL
Supercolor 670 AF



"Polaroid" is a registered trademark of Polaroid Corporation, Cambridge, Mass., U.S.A.
"Polaroid" est une marque déposée de Polaroid Corporation, Cambridge, Mass. E.U.
"Polaroid"® Marca Registrada



1

SEE THE WORLD IN A NEW LIGHT

Polaroid has designed a unique photographic system. Using a tiny electronic computer, the system – a camera with a built-in flash and Polaroid 600 Land film – measures light from the subject and blends it with the right amount of flash for beautiful pictures, indoors and outdoors. In strong sunlight, the flash adds just enough light to soften harsh shadows.

The camera's built-in electronic flash unit lifts up for picture-taking, folds down for carrying ease. The flash is designed to be used for **every** picture – outdoors and indoors. It charges **automatically** in about **3 seconds** every time you load film into the camera when the flash unit is raised, when you have taken a picture, when you raise the flash unit with film already in the camera, or when you simply touch the shutter button.

In addition, the Supercolor 670AF camera has an automatic focusing system which consists of a fixed front lens and an internal rotating disk with four lenses. Using sound waves to measure the distance between the camera lens and your subject, the computer selects the correct lens that will put your subject in sharp focus.

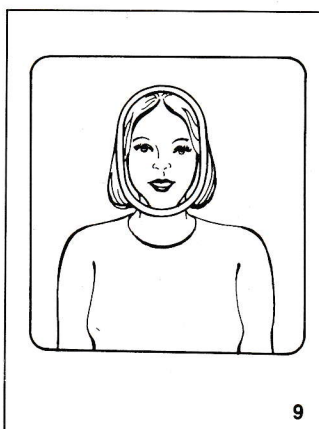
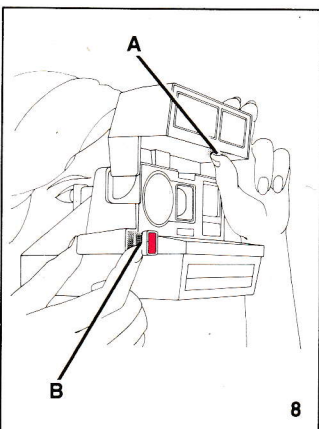
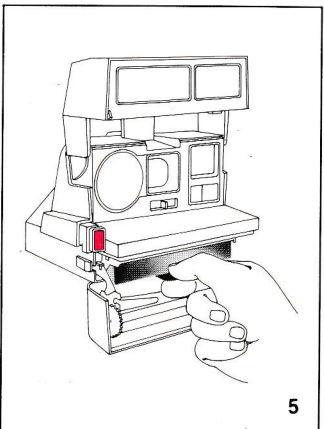
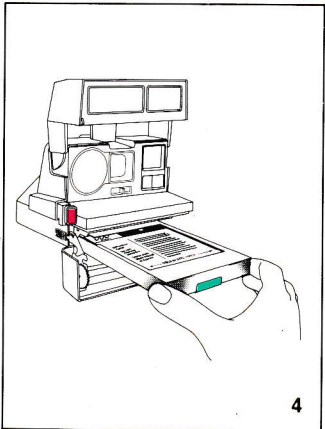
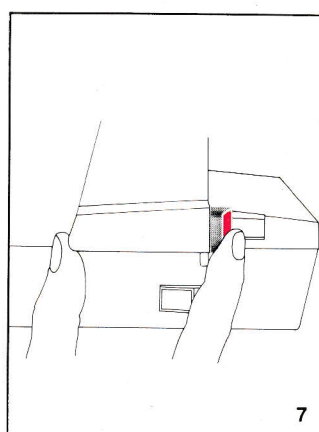
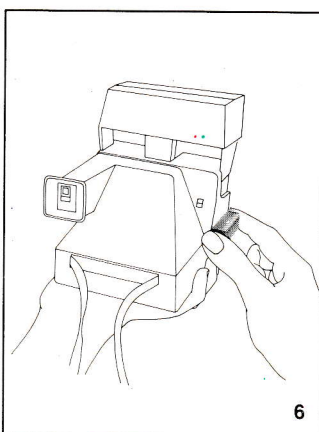
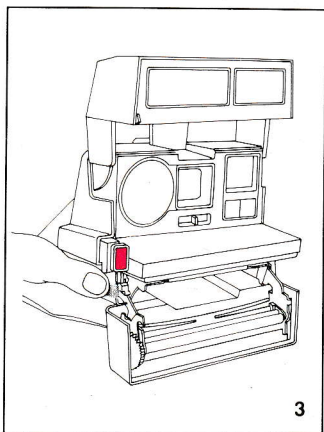
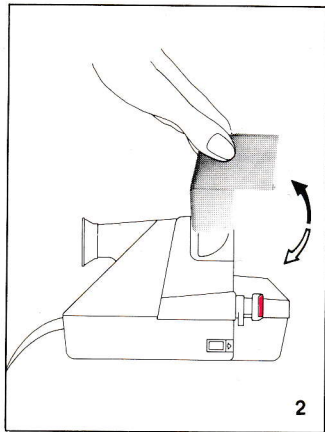
The Supercolor 645CL and the Supercolor 635CL have a built-in close-up lens which allows you to take pictures from as close as 60cm (2 ft.).

Throughout the text you will find a series of numbers. Each of these refers to a picture on the fold-out pages.

IMMEDIATE

AS W
OBSE
1. FO
2. DO
DAMA
AUTH
3. DO
THE P
REPA
AUTH
RECT
SHOC
IMME

PL INS



CAMERA PARTS: PICTURE 1

- | | |
|--|---|
| A. Electronic flash | K. Viewfinder |
| B. Transducer (Supercolor 670AF only; sends sound-waves and receives the echo) | L. Tripod socket (some models) |
| C. Lens | M. Thumb rest |
| D. Shutter button | N. Picture counter |
| E. Non-flash button | O. Red light (means the flash is charging) |
| F. Film door latch | P. Green light (means the flash is ready to fire) |
| G. Picture exit slot | Q. Close-up lever (Supercolor 645CL and 635CL only) |
| H. Lighten/darken control | R. Oval frame (Supercolor 645CL and 635CL only) |
| I. Photocell | |
| J. Autofocus by-pass button (Supercolor 670AF only) | |

TO RAISE AND LOWER THE FLASH UNIT: PICTURE 2

When you are not using the camera, lower unit to protect lens and to lock shutter button.

TO LOAD AND REMOVE FILM: PICTURES 3, 4 AND 5

Use Polaroid 600 color film only. Other Polaroid films will not fit into or work with this camera. The high-energy battery built into every film pack powers both the camera and the electronic flash.

TO HOLD THE CAMERA: PICTURE 6**TO TAKE THE PICTURE**

- Use flash for every picture, indoors and outdoors.

- Stand at least 60cm (2 ft.) from your subject when using the Supercolor 670AF, 1.2m (4 ft.) with the Supercolor 645CL and 635CL (when not using the close-up feature), the Supercolor 645 and 635, and the Spirit 600.
- Indoors and at night outdoors, the flash range is: 60cm – 4.25m (2 – 14 ft.) for the Supercolor 670AF, 1.2 – 3m (4 – 10ft.) for the Supercolor 645CL, 635CL, 645, 635, and the Spirit 600.
- Supercolor 670AF: Be sure the soundwaves have a clear path to your subject.

Look through the viewfinder and frame your picture.

You will see a **red light** on the back of the flash unit while the flash is charging. A **green light** on the back of the flash unit will come on to show the flash is ready to fire.

To take a picture, press the shutter button all the way (Picture 7).

After you have taken a picture the flash will recharge and the green light will come on again in about 3 seconds.

When you want to take a picture and the green light has gone off, lightly touch the shutter button and release it. Take the picture when you see the green light.

Hold the developing picture by its wide border. While it is developing, keep it out of direct sunlight and inside a warm pocket when temperature is below 13°C (55°F).

Also, when the temperature is below 13°C (55°F), keep the camera and film warm.

Caution: Avoid contact with caustic paste inside film. In case of contact, wash off immediately. Do not cut, burn, take apart battery, or allow metal to touch terminals.

THE AUTOFOCUS BY-PASS AND NON-FLASH BUTTONS

- **Supercolor 670AF:** To photograph a **daylight** scene (more than 4m/12ft. away) through glass: Press and **hold in the autofocus by-pass button** (Picture 8, A), then press the **non-flash button** (Picture 8, B) to take your picture.
- **Supercolor 645CL, 635CL, 645, 635, and Spirit 600:** To avoid a flash reflection when photographing through glass in daylight: Press the **non-flash button** (Picture 8, B) to take your picture.

THE CLOSE-UP LENS (Supercolor 645CL and 635CL only)

To use, slide the lever (Picture 1,Q) to the 0.6 – 1.2m (2 – 4 ft.) setting. The oval frame (Picture 1,R) which is now visible in the viewfinder serves as a reminder that the close-up lens is in place. When your subject's head fills the frame (Picture 9) you are at the correct distance for a close-up.

For close-ups of small children, objects, or more than one person, keep the oval frame in place but measure the 0.6 – 1.2m (2 – 4 ft.) distance some other way. Use the full viewfinder area – not the oval frame – to frame the picture.

When you have finished using the close-up lens, return the lever to the 1.2m – ∞ (4 ft. – ∞) setting. Lowering the flash unit will also slide the lever back automatically.

THE LIGHTEN/DARKEN CONTROL

Use it to lighten (A) or to darken (B) a second picture of the same subject.



When you have finished re-taking your pictures, return the control to the center (C). Should you forget, a double white arrow will appear inside the bottom of the viewfinder to serve as a reminder.

KEEP DEVELOPER ROLLERS CLEAN

Dirt on the rollers inside the film door can cause repeated spots, bar patterns and other faults on your pictures. Clean rollers with a damp lint-free cloth.

IF THE CAMERA DOES NOT OPERATE

- Check the picture counter. When the film pack is empty, the flash will charge but the shutter will not operate.
- When the red light on the back of the flash unit is on, the flash is charging and you cannot take a picture.

POLAROID SERVICE CENTERS AND OFFICES

If you need information or help, or if your camera needs repair, please see your dealer or contact the nearest Polaroid office.